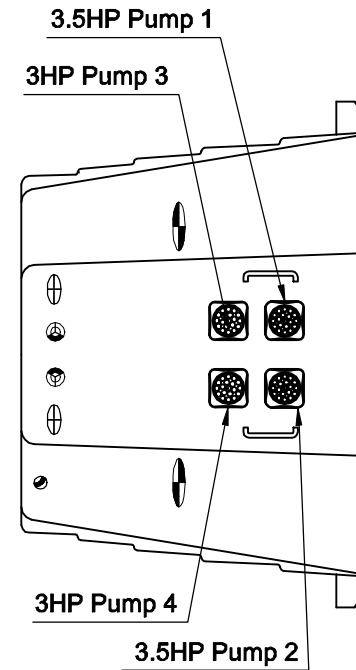
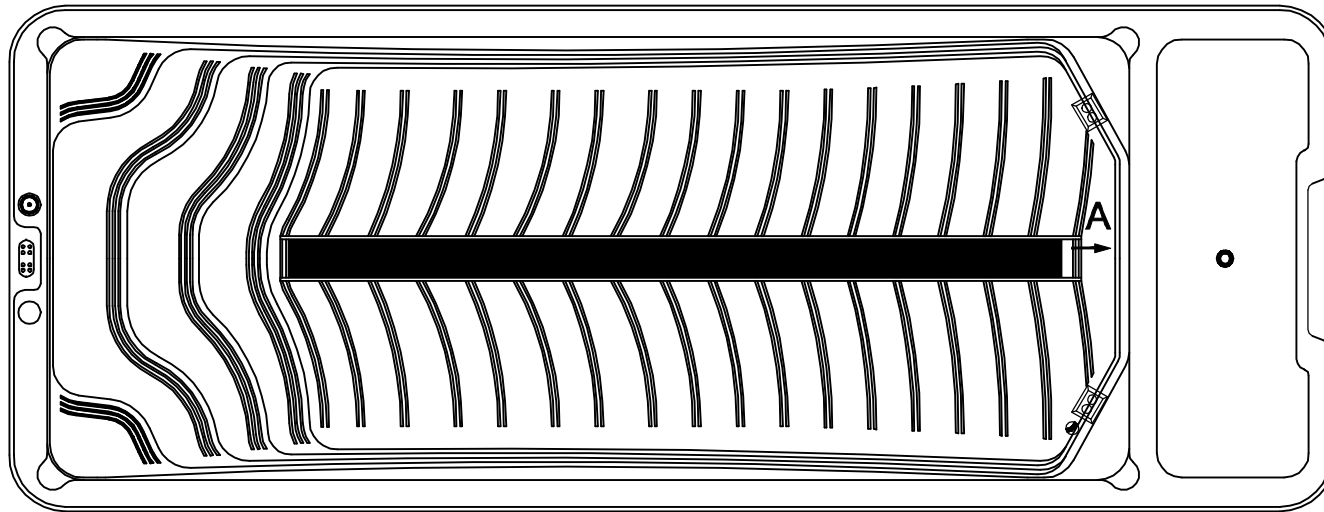
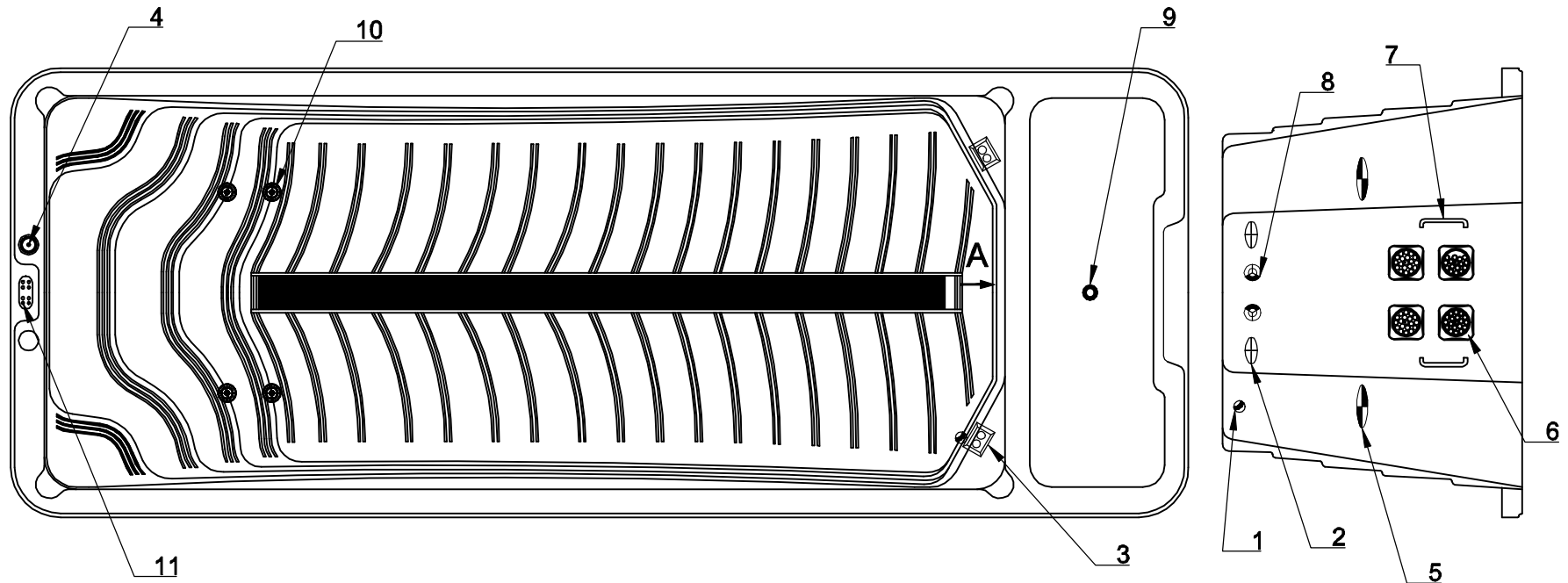


### Therapy Assignment

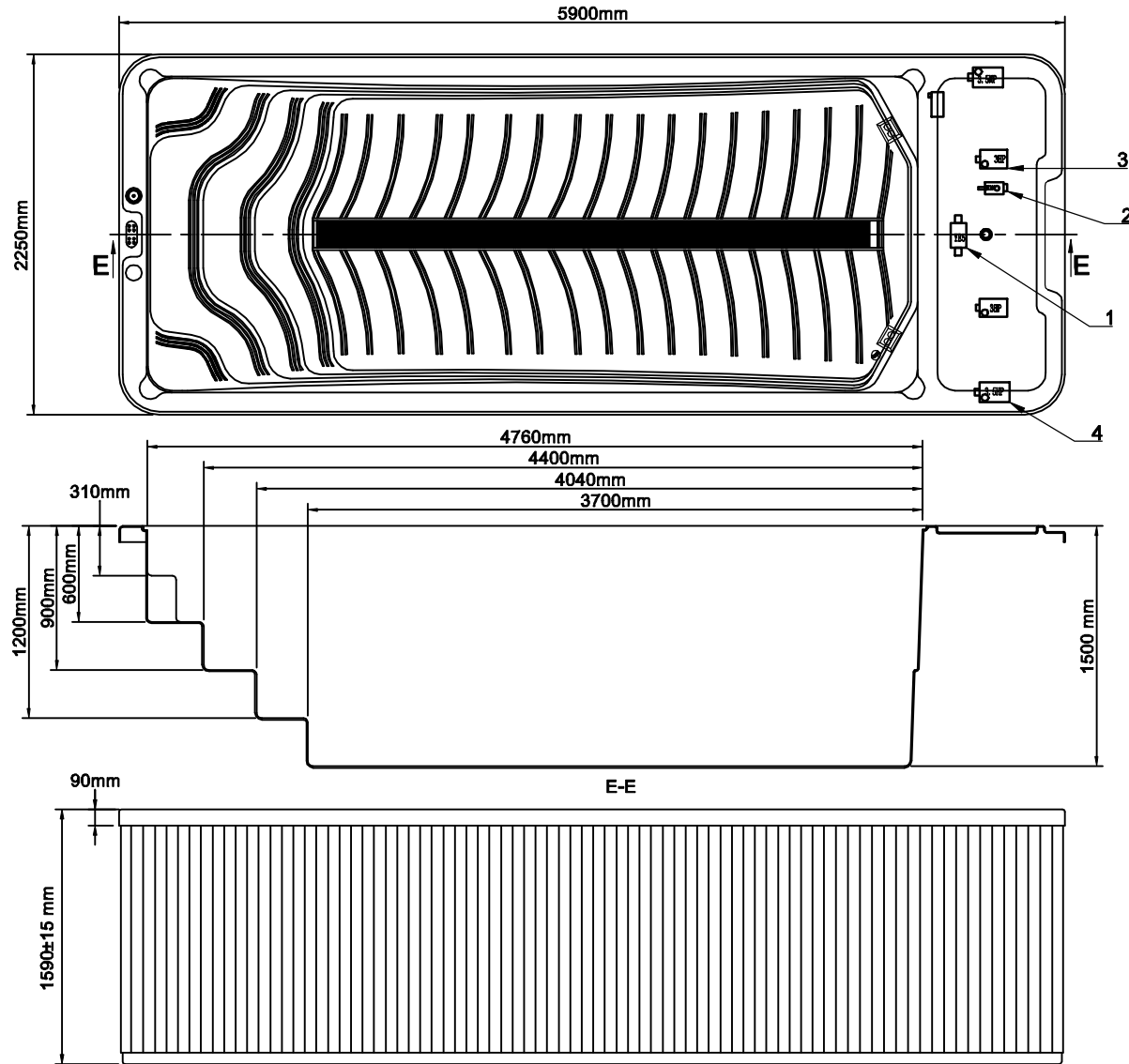


Notes: Due to manufacturing tolerances, there could be some minor differences between the actual spa and the drawing above. If site planning is critical to such tolerances, be sure to measure your actual spa. All specifications are subject to change without notice. Some components may be optional on your spa.



					6		3" Swim Jet	01.03.04.0177	4	pcs	
					5		5" Light housing without Holder	01.03.03.0108	2	pcs	
					4		Swim Pole Base	01.02.12.0004	1	pcs	
					3		Twin Cylinder Skimmer (carbon grey)	01.02.13.05.0120	2	pcs	
					2		Ozone Connection (Whole Set)	01.03.03.0221	2	pcs	
					1		Stainless steel Handrail(Ø28*180mm)	01.02.12.0001	2	pcs	
					1		Bottom Drain	01.03.04.0099	1	pcs	
NO	ICON	DESCRIPTION	PART #	QTY	UNIT	NO	CON	DESCRIPTION	PART #	QTY	UNIT

Notes: Due to manufacturing tolerances, there could be some minor differences between the actual spa and the drawing above. If site planning is critical to such tolerances, be sure to measure your actual spa.  
All specifications are subject to change without notice.  
Some components may be optional on your spa.



Notes: Due to manufacturing tolerances, there could be some minor differences between the actual spa and the drawing above. If site planning is critical to such tolerances, be sure to measure your actual spa. All specifications are subject to change without notice. Some components may be optional on your spa.

4		3.5HP Single Speed PUMP	01.03.05.0693	2	pcs
3		3HP Single Speed PUMP	01.03.05.0553	2	pcs
2		1HP Circulation Pump-JA100	01.03.05.0469	1	pcs
1		Control Box (IN.YE5)	01.03.05.0348	1	pcs
NO/CON		DESCRIPTION	PART #	QTY	UNIT
Edition:05/12/2018			ZC.RS60.0092		