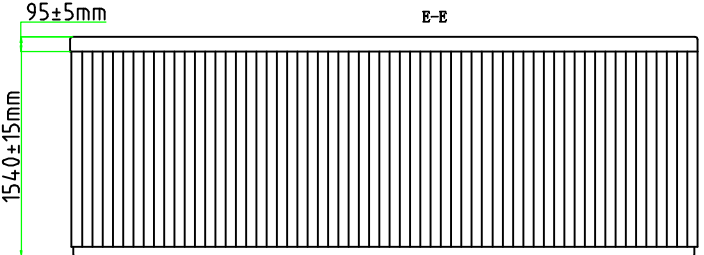
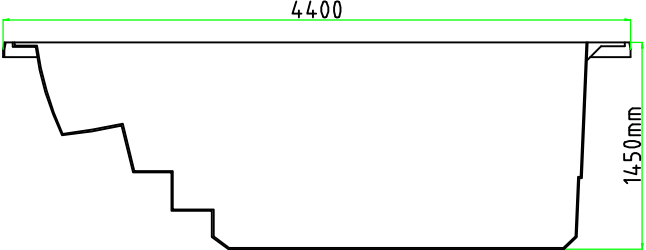
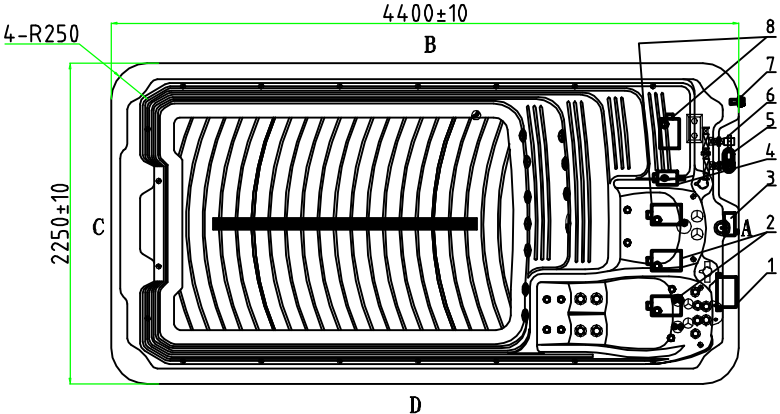


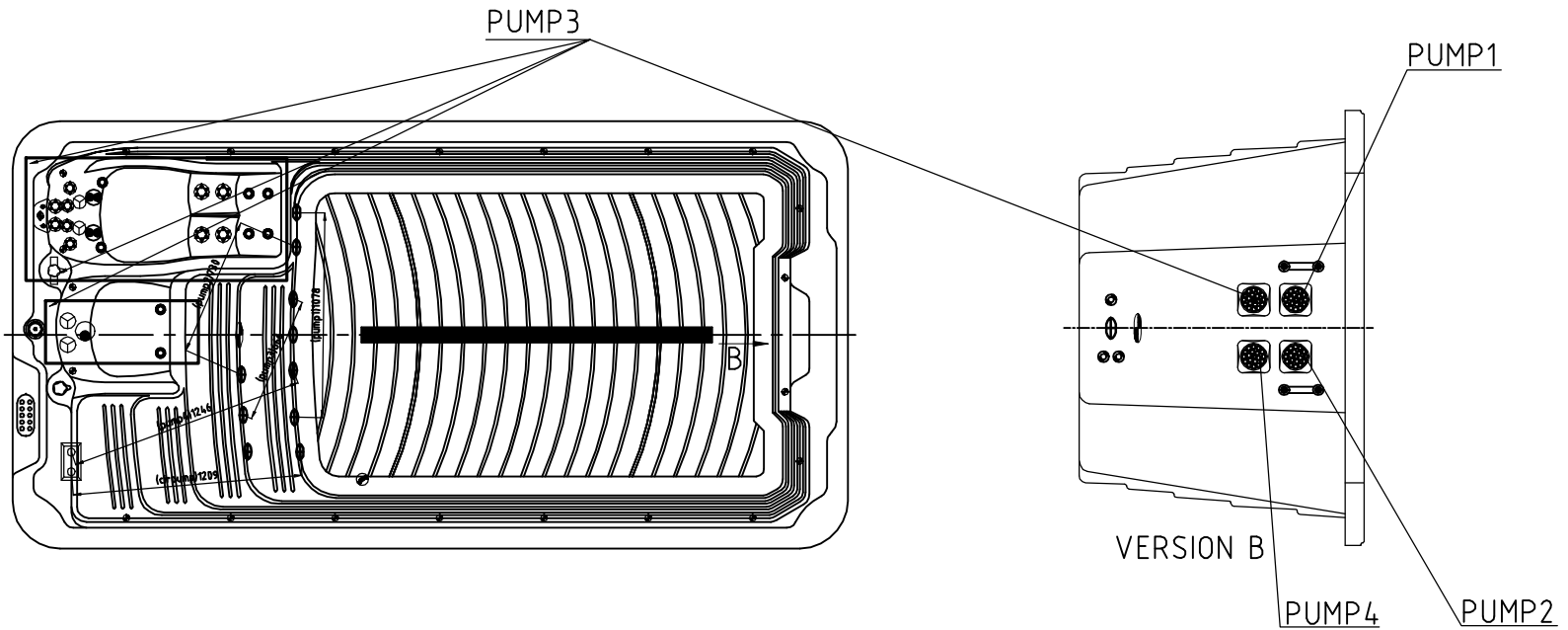
Business plan



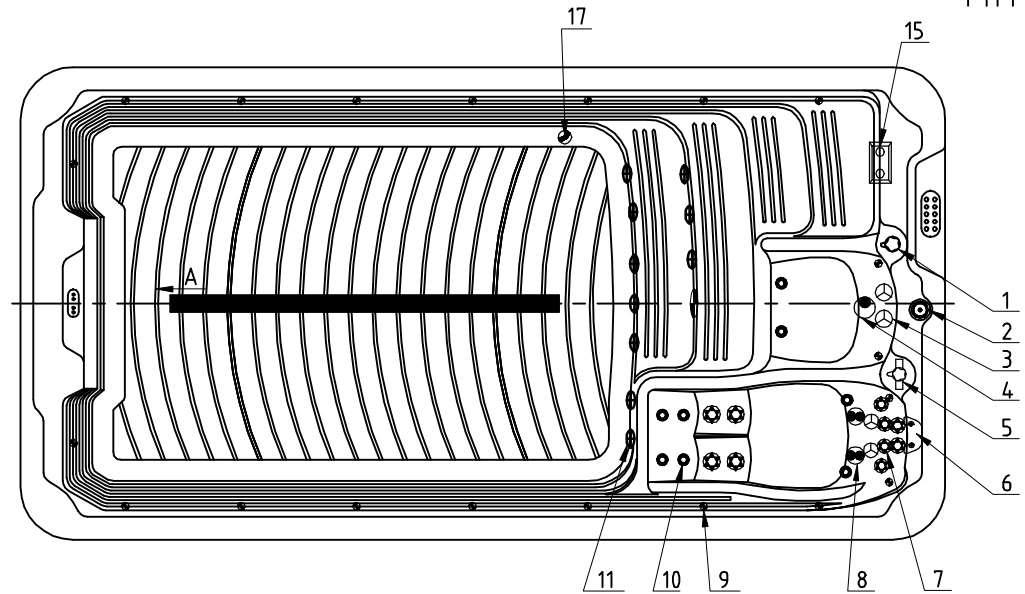
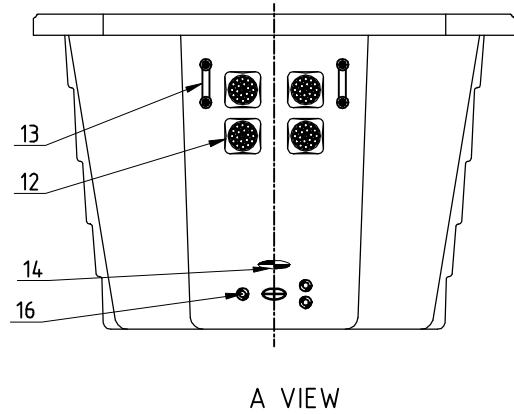
Notes: Due to manufacturing tolerances, there could be some minor differences between the actual spa and the drawing above. If site planning is critical to such tolerances, be sure to measure your actual spa. All specifications are subject to change without notice. Some components may be optional on your spa.

8		2HP Single Speed PUMP	2	pc
7		Drain Valve	1	pcs
6		Heat Pump Ready Union	1	pc
5		Control panel	1	pc
4		Circulation Pump-JA100	1	pc
3		CP Ozone Generator	1	pcs
2		3HP Single Speed Pump	2	pc
1		Control Box	1	pcs
NO	ICON	DESCRIPTION	QTY	UNIT
Edition:23/05/2019			PC44.07.0001	

Therapy Assignment



Notes: Due to manufacturing tolerances, there could be some minor differences between the actual spa and the drawing above. If site planning is critical to such tolerances, be sure to measure your actual spa. All specifications are subject to change without notice. Some components may be optional on your spa.



Notes: Due to manufacturing tolerances, there could be some minor differences between the actual spa and the drawing above. If site planning is critical to such tolerances, be sure to measure your actual spa. All specifications are subject to change without notice. Some components may be optional on your spa.

17		Star-Shape SS Bottom Drain	1	pc	5		2" Water diverter valve	1	pc
16		Twin Cilinder Skimmer	1	pcs	4		stainless steel swim base	1	pc
15		Ozone Injector	3	pc	3		4" Jet Single-Spin	1	pc
14		3" Swim Jet- Plastic Face	4	pcs	2		3" Jet internal-Directinal	4	pcs
13		Stainless steel Handrail	2	pc	1		1" Air Check Valve Assembly	1	pc
12		2" Suction (full set) - SS face	8	pcs					
11		5" Light housing without Holder	2	pcs					
10		Large 1" Direct Jet Insert	8	pcs					
9		4" Jet Twin-Spin	2	pcs					
8		MINI-LED light cover	20	pcs					
7		Butterfly Headrest	1	pc					
6		2" Jet Internal-Directional	10	pcs					
NO	ICON	DESCRIPTION	QTY	UNIT	NO	ICON	DESCRIPTION	QTY	UNIT