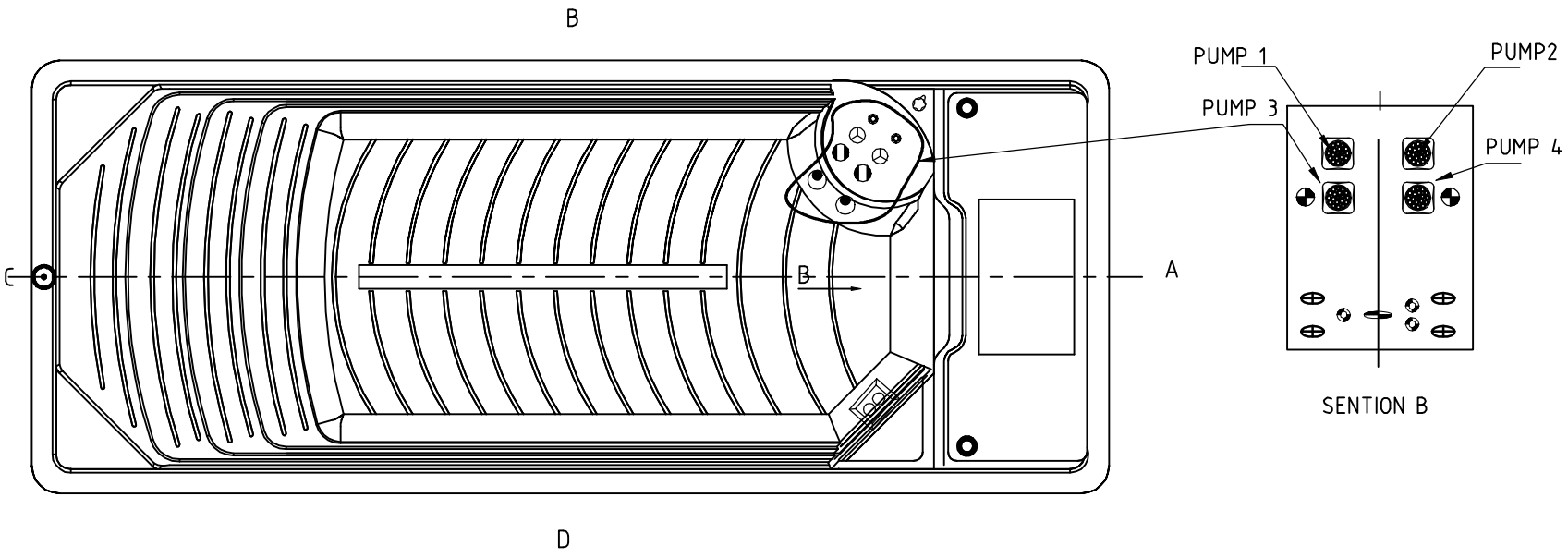
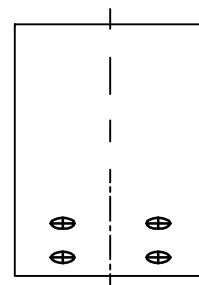
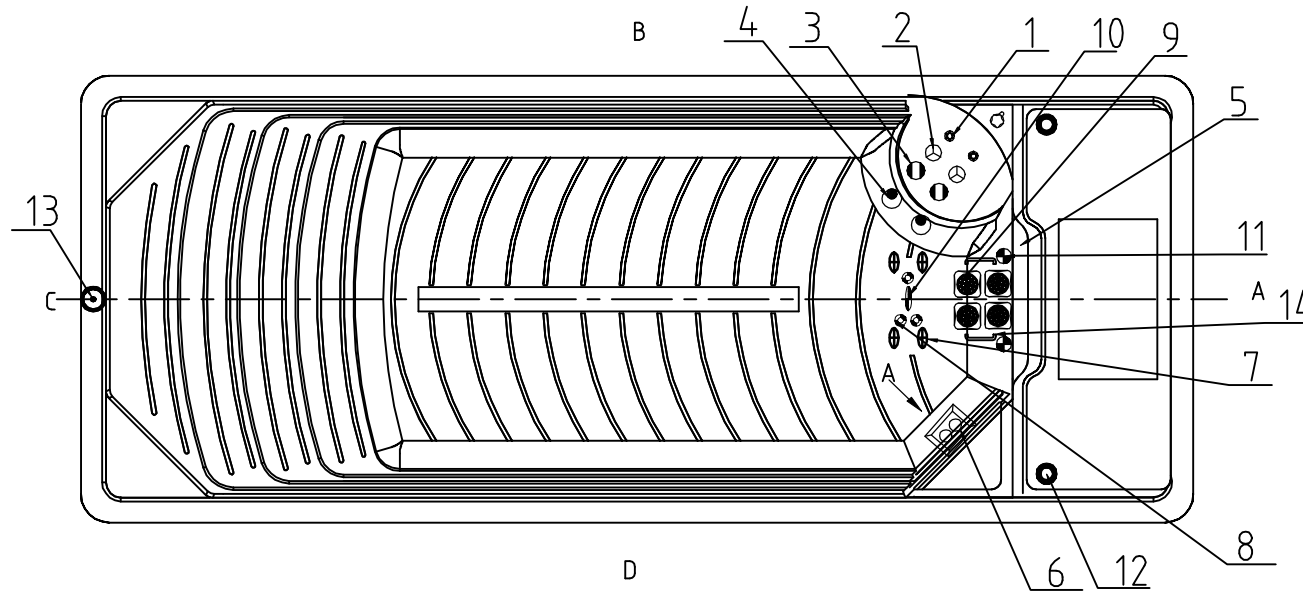


Therapy Assignment



Notes: Due to manufacturing tolerances, there could be some minor differences between the actual spa and the drawing above. If site planning is critical to such tolerances, be sure to measure your actual spa. All specifications are subject to change without notice. Some components may be optional on your spa.

Fitting



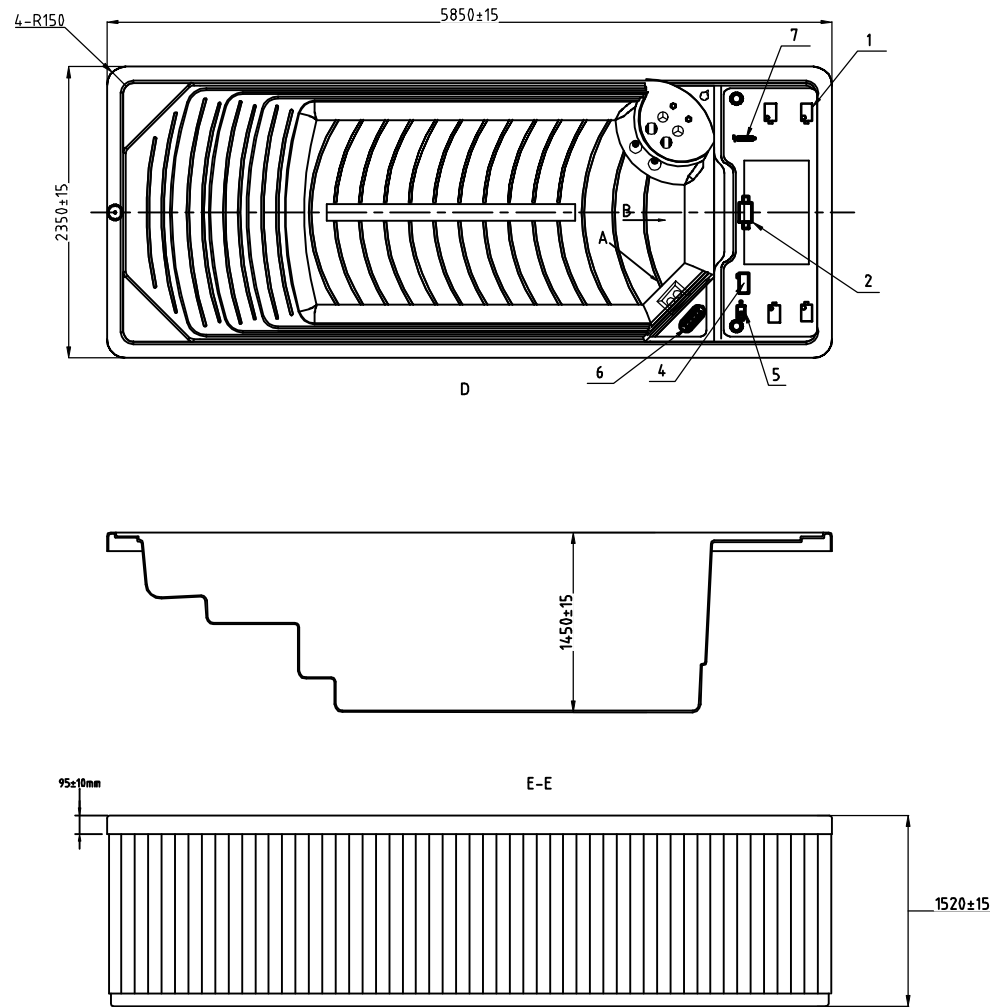
SECTION A

14		Stainless steel Handrail(φ28×180mm)	01.02.12.0001	2	pcs
13		stainless steel swim base	01.03.06.0189	1	pc
12		Large Face 1 Direct Jet Insert	01.03.04.0075	2	pcs
11		2" INFINITY LED	01.03.03.0697	2	pcs
10		5" Light housing without Holder	01.03.03.0108	1	pc
9		3'Swim Jet	01.03.04.0177	4	pcs
8		Ozone Injector	01.03.03.0129	3	pcs
7		2" Suction (full set) - SS face	01.03.03.0228	8	pcs
6		Twin Cilinder Skimmer	01.03.03.0095	1	pc
5		1" Air Check Valve Assembly	01.03.03.0659	1	pc
4		4"Jet Single-Spin	01.03.04.0162	2	pcs
3		3"Jet Twin-Spin	01.03.04.0161	2	pcs
2		3"Jet internal-Directinal	01.03.04.0159	2	pcs
1		2" Jet Internal-Directional	01.03.04.0158	2	pcs
NO	ICON	DESCRIPTION	PART #	QTY	UNIT

Edition:12/12/2018

ZC.BP60.0002

Notes: Due to manufacturing tolerances, there could be some minor differences between the actual spa and the drawing above. If site planning is critical to such tolerances, be sure to measure your actual spa. All specifications are subject to change without notice. Some components may be optional on your spa.



6		Control Panel	01.03.05.0643	1	pcs
5		Circulation Pump	01.03.05.0469	1	pc
4		CP Ozone Generator	01.03.05.0035	1	pc
3		Ozone Clear Core Chamber	01.03.03.0124	1	pcs
2		Control Box	01.03.05.0348	1	pcs
1		3HP Single Speed Pump	01.03.03.0553	4	pc
NO	ICON	DESCRIPTION	PART #	QTY	UNIT
Edition:12/12/2018			ZC.BP60.0002		

Notes Due to manufacturing tolerances, there could be some minor differences between the actual size and the drawing above.
 If site planning is critical to such tolerances, be sure to measure your actual size.
 All specifications are subject to change without notice.
 Some components may be optional on your size.