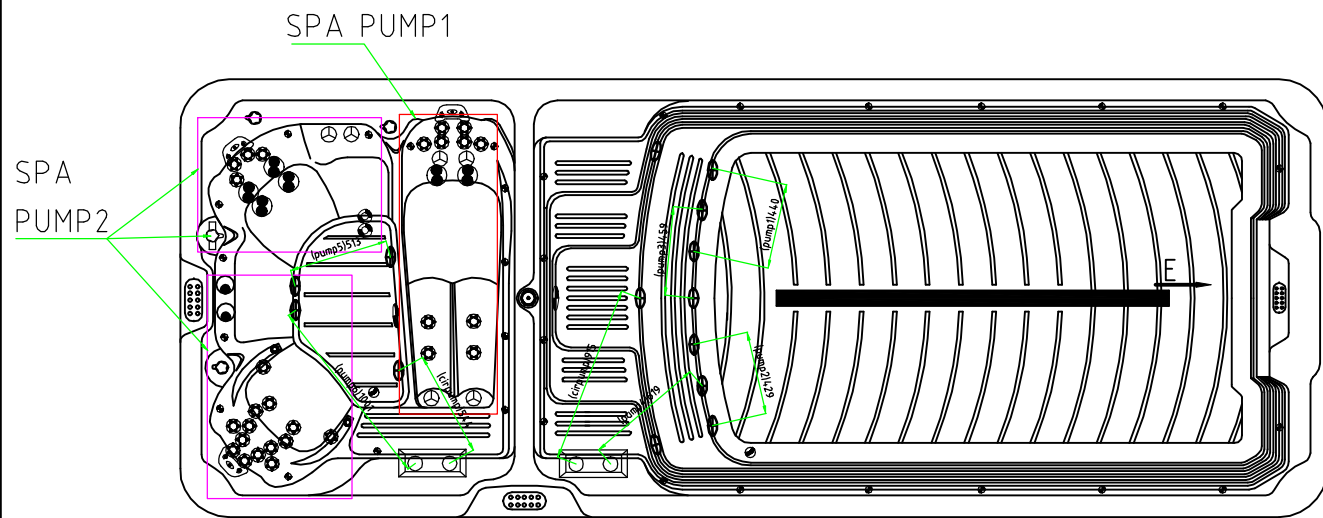
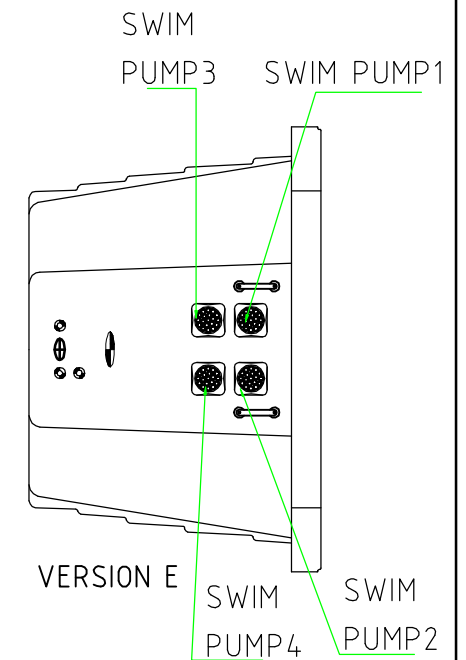


8		Drain Valve	1	pcs
7		CP Ozone Generator	2	pcs
6		Control panel	2	pc
5		Circulation Pump-JA100	1	pc
4		2HP Single Speed PUMP	2	pc
3		Control Box	2	pcs
2		Circulation Pump-WTC50	1	pc
1		3HP Single Speed Pump	4	pc
NO	ICON	DESCRIPTION	QTY	UNIT
Edition:15/05/2019			PC60.07.0002	

Notes: Due to manufacturing tolerances, there could be some minor differences between the actual spa and the drawing above. If site planning is critical to such tolerances, be sure to measure your actual spa. All specifications are subject to change without notice. Some components may be optional on your spa.

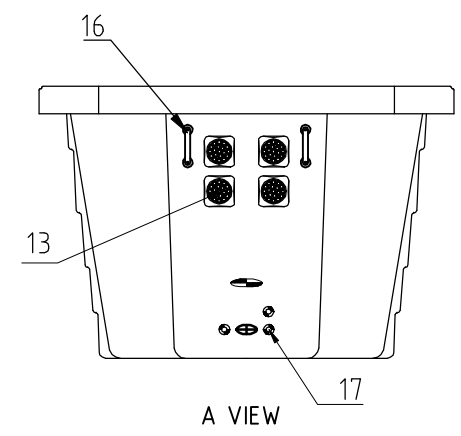
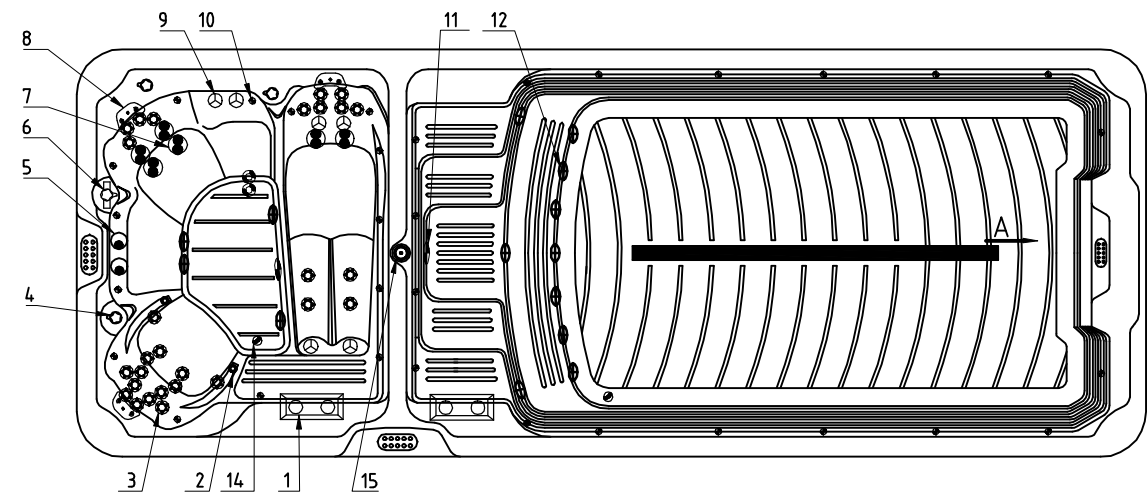


## Therapy Assignment



Notes: Due to manufacturing tolerances, there could be some minor differences between the actual spa and the drawing above. If site planning is critical to such tolerances, be sure to measure your actual spa. All specifications are subject to change without notice. Some components may be optional on your spa.

Fitting



Notes: Due to manufacturing tolerances, there could be some minor differences between the actual spa and the drawing above. If site planning is critical to such tolerances, be sure to measure your actual spa. All specifications are subject to change without notice. Some components may be optional on your spa.

12		2" Suction (full set) - SS face	12	pcs
11		5" Light housing without Holder	3	pcs
10		MINI-LED light cover	32	pcs
9		3" Jet internal-Directinal	6	pcs
8		Butterfly Headrest	3	pcs
7		4" Jet Twin-Spin	6	pcs
6		2" Water diverter valve	1	pcs
5		4" Jet Single-Spin	2	pcs
4		1" Air Check Valve Assembly	3	pcs
3		2" Jet Internal-Directional	28	pcs
2		Large 1" Direct Jet Insert	2	pcs
1		Twin Cilinder Skimmer	2	pcs

17		Ozone Injector	5	pcs
16		Stainless steel Handrail	2	pcs
15		stainless steel swim base	1	pc
14		Star-Shape SS Bottom Drain	2	pcs
13		3" Swim Jet- Plastic Face	4	pcs
NO	ICON	DESCRIPTION	QTY	UNIT