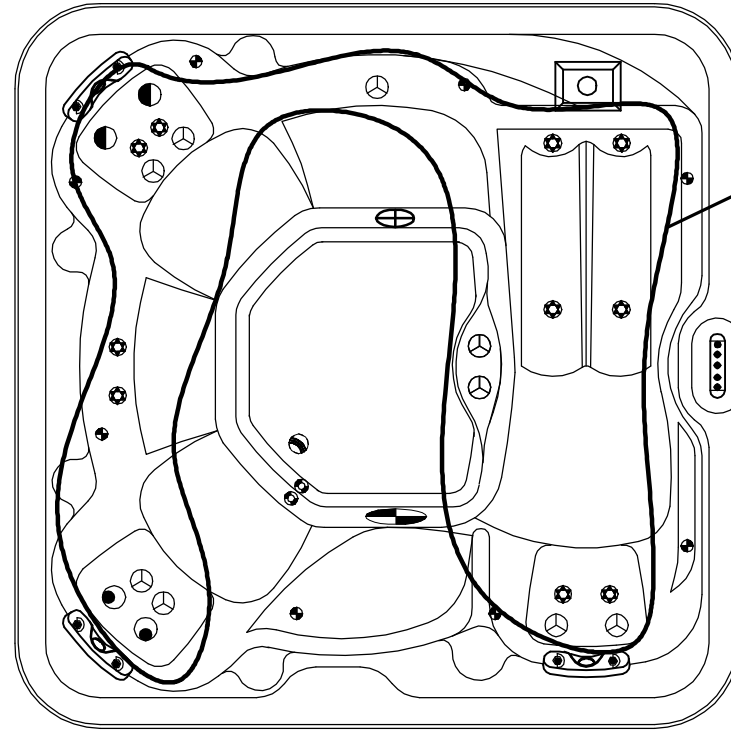


Model Name:RA561S

Therapy Assignment



PUMP 1

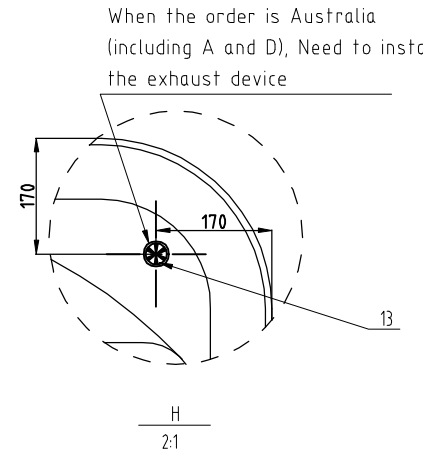
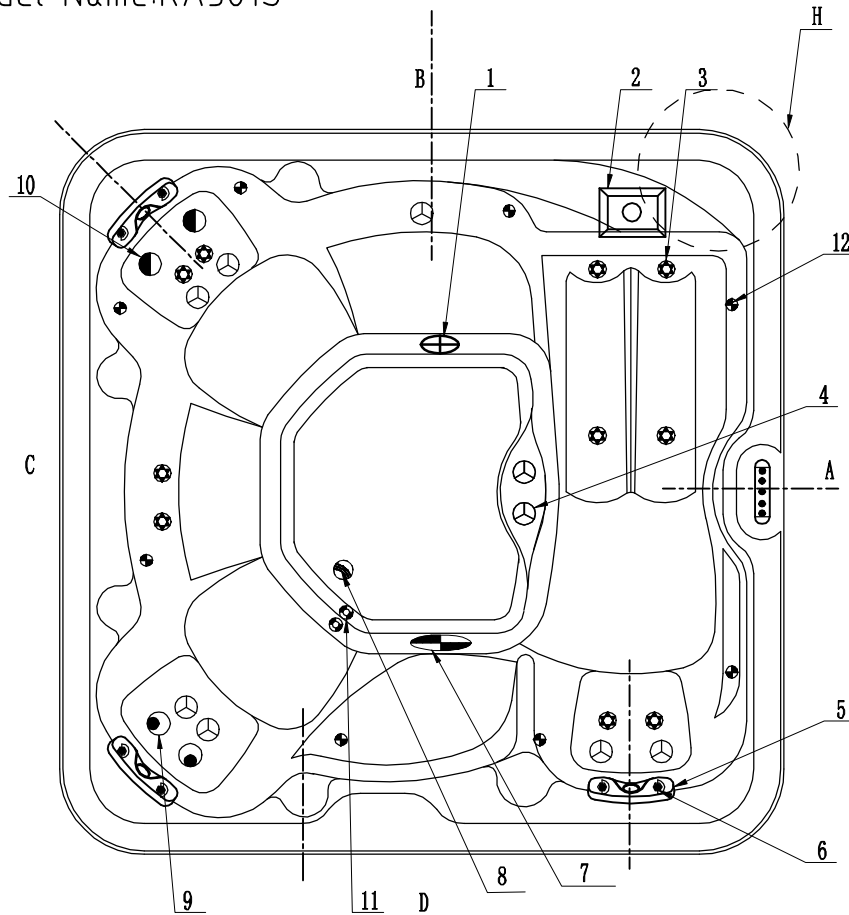
Notes:Due to manufacturing tolerances, there could be some minor differences between the actual spa and the drawing above. If site planning is critical to such tolerances, be sure to measure your actual spa. All specifications are subject to change without notice.Some components may be optional on your spa

Edition:3/4/2018

ZC.RX561S.0127

Model Name:RA561S

Fitting



Notes:Due to manufacturing tolerances, there could be some minor differences between the actual spa and the drawing above. If site planning is critical to such tolerances, be sure to measure your actual spa. All specifications are subject to change without notice. Some components may be optional on your spa

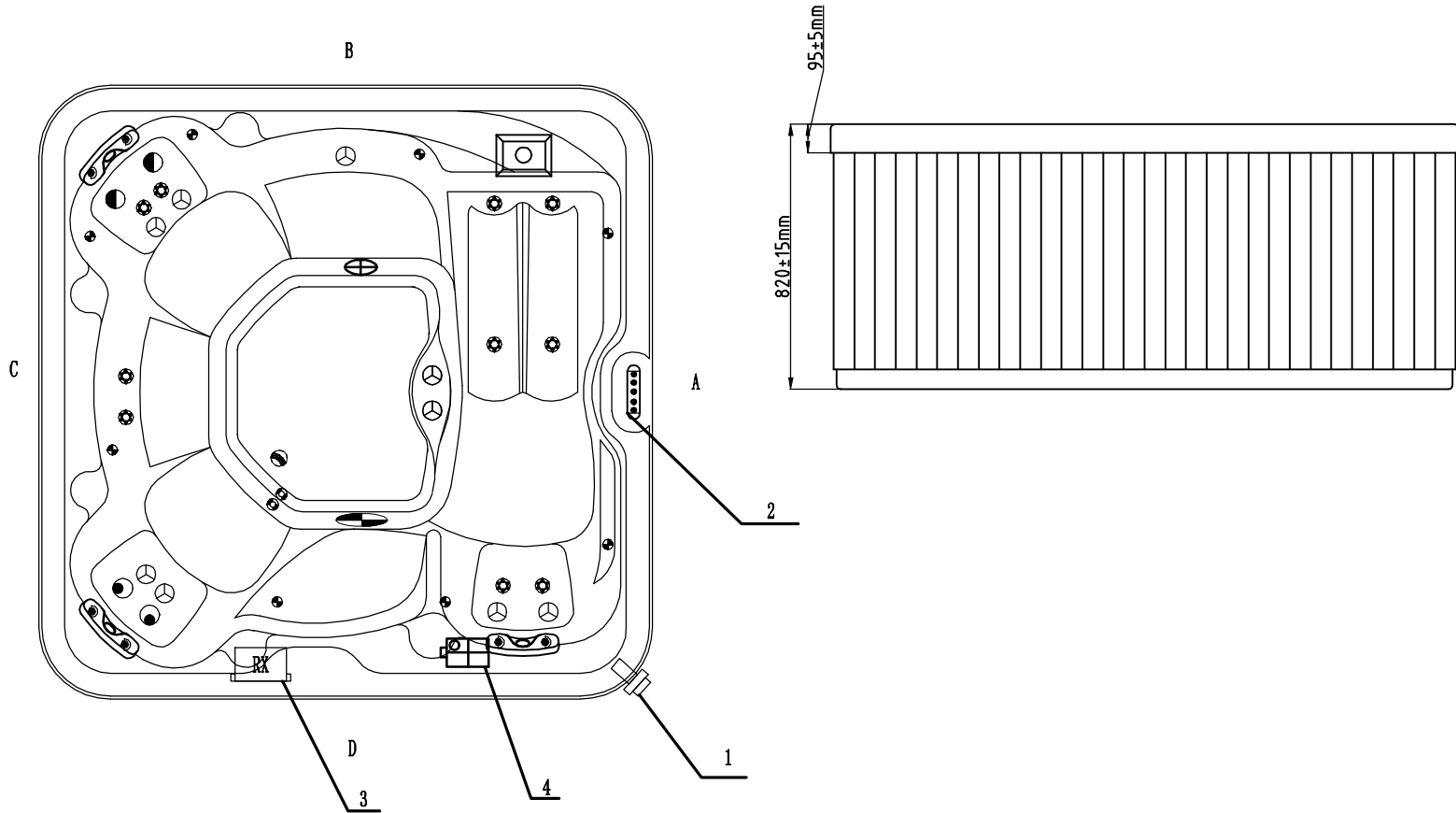
13		Plastic Low Drain - 1" Slip	01.03.04.0288	1	pc
12		MINI-LED light cover	01.03.03.0066	8	pcs
11		Ozone Nozzle(Standard Grey)	01.03.03.0129	2	pc
10		3" Jet Internal-Single Pulse	01.03.04.0357	2	pc
9		4" Jet Internal-Single Pulse	01.03.04.0358	2	pcs
8		Stainless Steel Low Drain - 3/4" Slip	01.03.04.0099	1	pcs
7		5" Light Housing Without Holder	01.03.03.0108	1	pc
6		Headrest buckle with plastic nut	01.03.03.0497	6	pc
5		EVA Headrest-Butterfly	01.03.03.0878	3	pc
4		3" Jet Internal-Directional	01.03.04.0354	9	pc
3		2" Jet Internal-Directional	01.03.04.0353	10	pc
2		Single cylinder skimmer	01.03.04.0340	1	pcs
1		2" Suction (full set) - SS Face	01.03.03.0228	1	pc
NO.	Icon	Description	Part #	Qty	Unit

Edition:3/4/2018




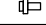
ZC.RX561S.0127

Model Name:RA561S

Business Plan



Notes:Due to manufacturing tolerances, there could be some minor differences between the actual spa and the drawing above. If site planning is critical to such tolerances, be sure to measure your actual spa. All specifications are subject to change without notice. Some components may be optional on your spa

4		2.5HP Double Speed Pump	01.05.01.0497	1	pc
3		Control Box	01.03.05.0608	1	pc
2		Control Panel	01.03.05.0198	1	pc
1		Drain Valve	01.03.03.0183	1	pc
NO.	Icon	Description	Part #	Qty	Unit

Edition:3/4/2018

ZC.RX561S.0127