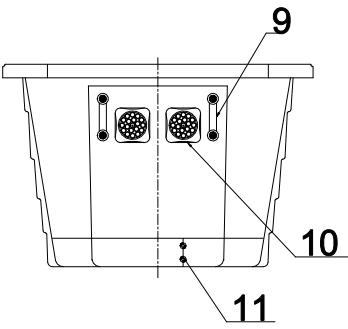
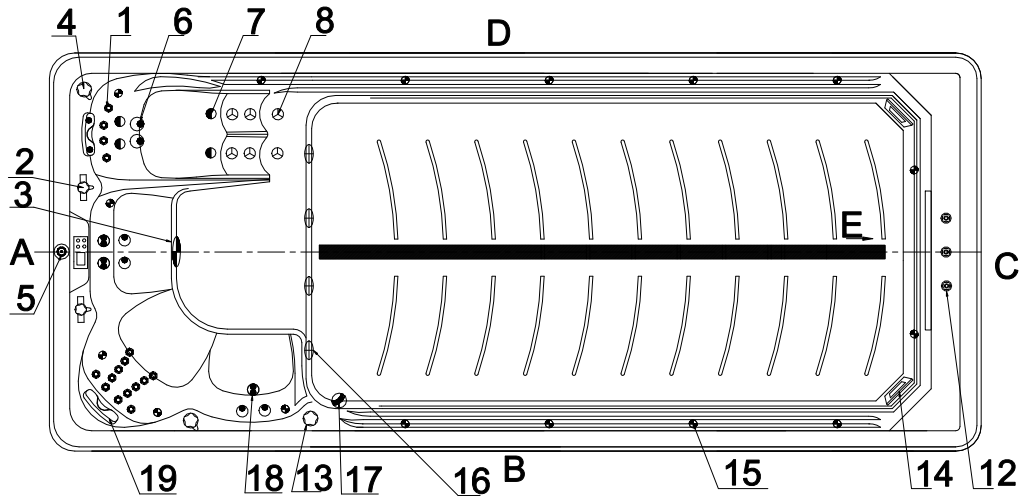


Fitting

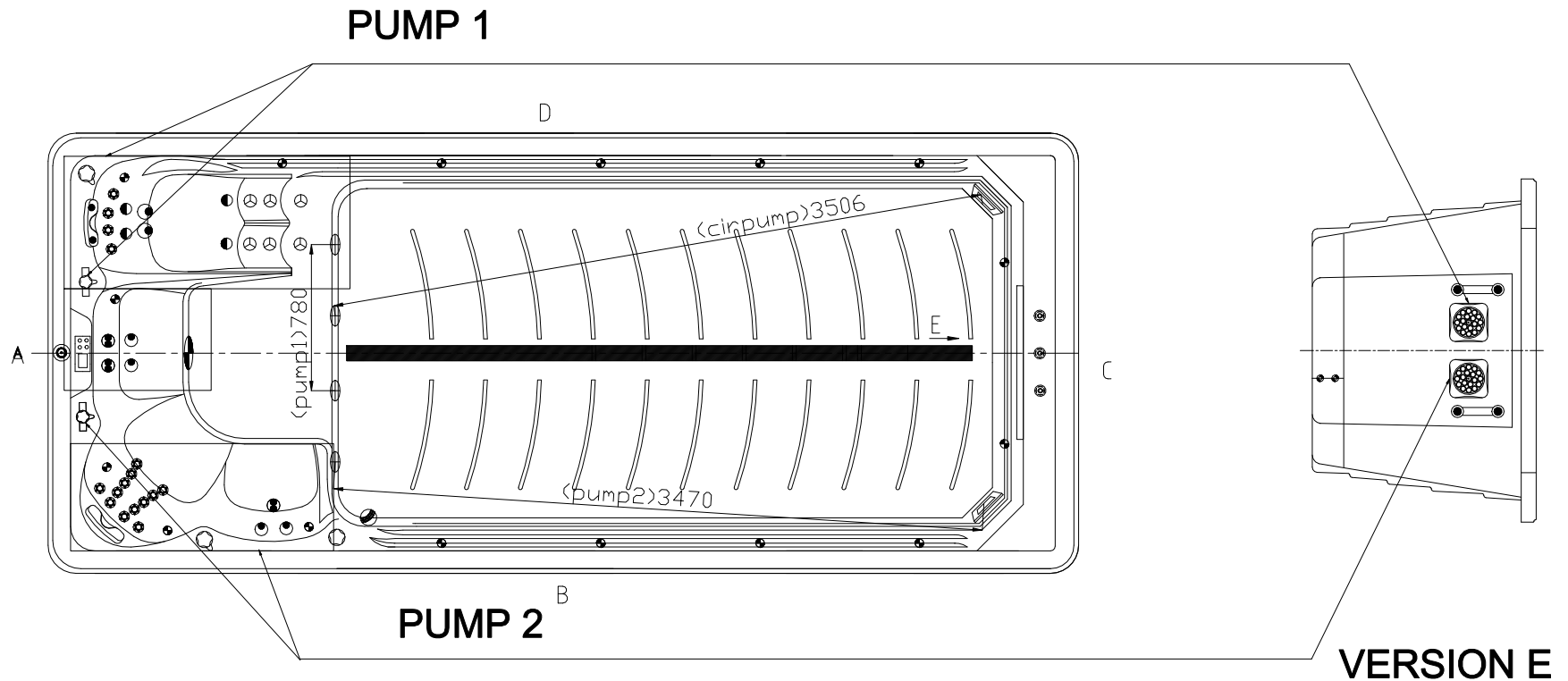


VERSION E

Notes : Due to manufacturing tolerances, there could be some minor differences between the actual spa and the drawing above. If site planning is critical to such tolerances, be sure to measure your actual spa. All specifications are subject to change without notice. Some components may be optional on your spa.

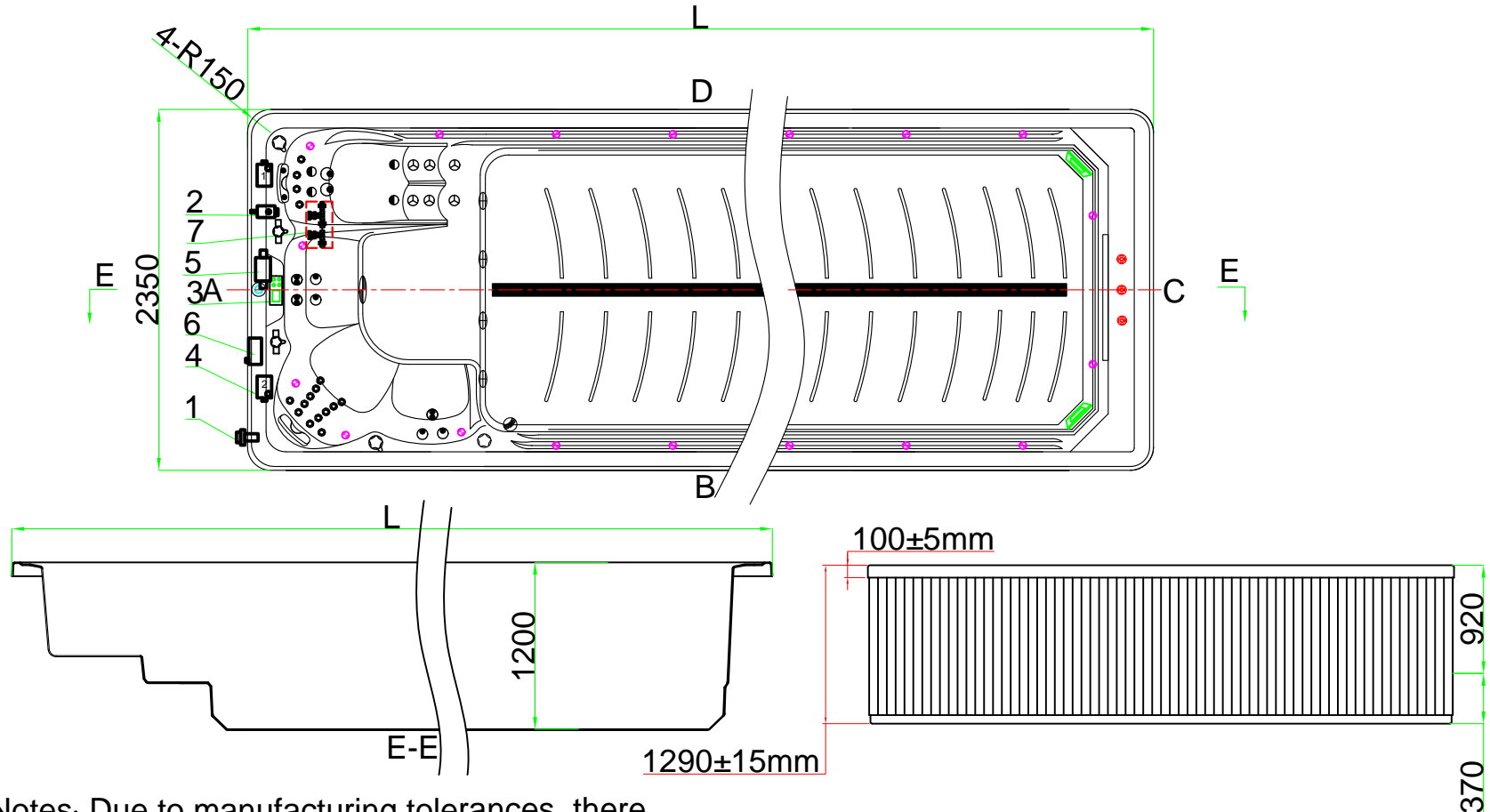
19		Headrest	2	pcs	11		Ozone Injector	2	pcs
18		4 inch Jet internal-Twin pulse	3	pcs	10		3 inch Turbo Jet	2	pcs
17		Star-Shape SS Bottom Drain	1	pcs	9		Handrail	4	pcs
16		2 inch Suction (Full Set)	4	pcs	8		3 inch Jet Internal-Directional	6	pcs
15		Perimeter LED	16	pcs	7		3 inch Jet Internal-Single Spin	4	pcs
14		Single Cilinder Skimmer	2	pcs	6		4 inch Jet Internal-Single Spin	6	pcs
13		Fountain Valve	1	pcs	5		Swim Base	1	pcs
12		Lifting Fountain	3	pcs	4		1 inch Air Check Valve Assembly	2	pcs
					3		5 inch Light Housing Without Holder	1	pcs
					2		2 inch Water Diverter Valve	2	pcs
					1		2 inch Jet Internal-Directional	16	pcs
NO	ICON	DESCRIPTION	QTY	UNIT	NO	ICON	DESCRIPTION	QTY	UNIT

Therapy Assignment



Notes : Due to manufacturing tolerances, there could be some minor differences between the actual spa and the drawing above. If site planning is critical to such tolerances, be sure to measure your actual spa. All specifications are subject to change without notice. Some components may be optional on your spa.

Business plan



Notes: Due to manufacturing tolerances, there could be some minor differences between the actual spa and the drawing above. If site planning is critical to such tolerances, be sure to measure your actual spa. All specifications are subject to change without notice. Some components may be optional on your spa.

DESCRIPTION	L
AL44	4400
AL55	5500
AL601	5900

7		Head Pump Ready Unit(Optional)	1	pcs
6		CD Ozone Generator	1	pcs
5		Control Box	1	pcs
4		3HP Single Speed Pump	2	pcs
3		Control Panel	1	pcs
2		Circulation Pump	1	pcs
1		Drain Valve	1	pcs

NO	ICON	DESCRIPTION	QTY	UNIT
		Edition:26/1/2021	AL.07.0003	