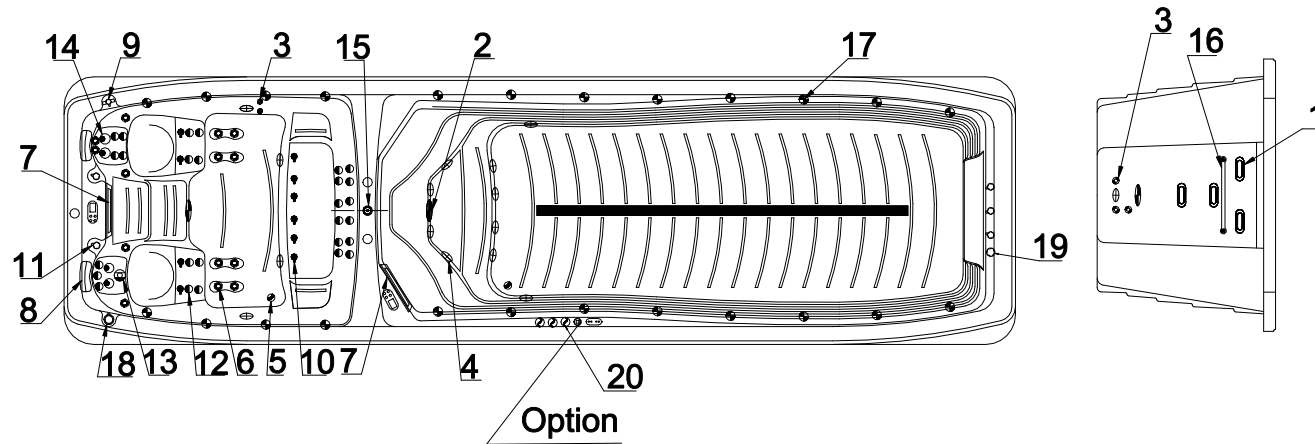


Fitting



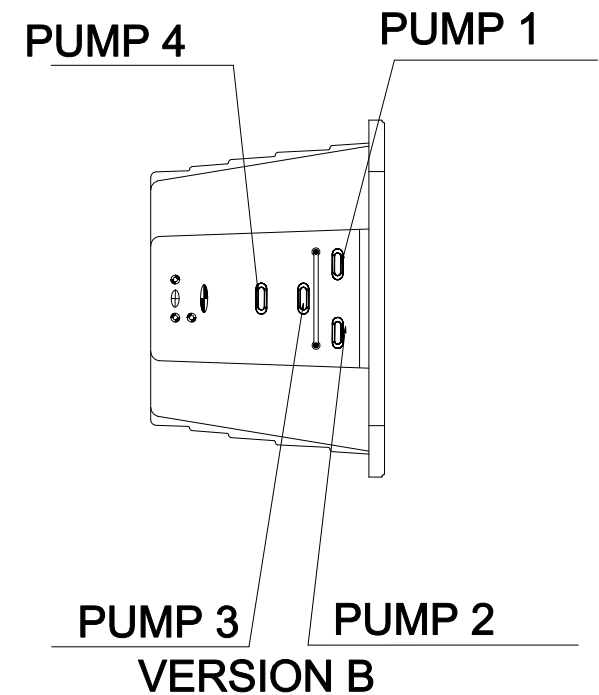
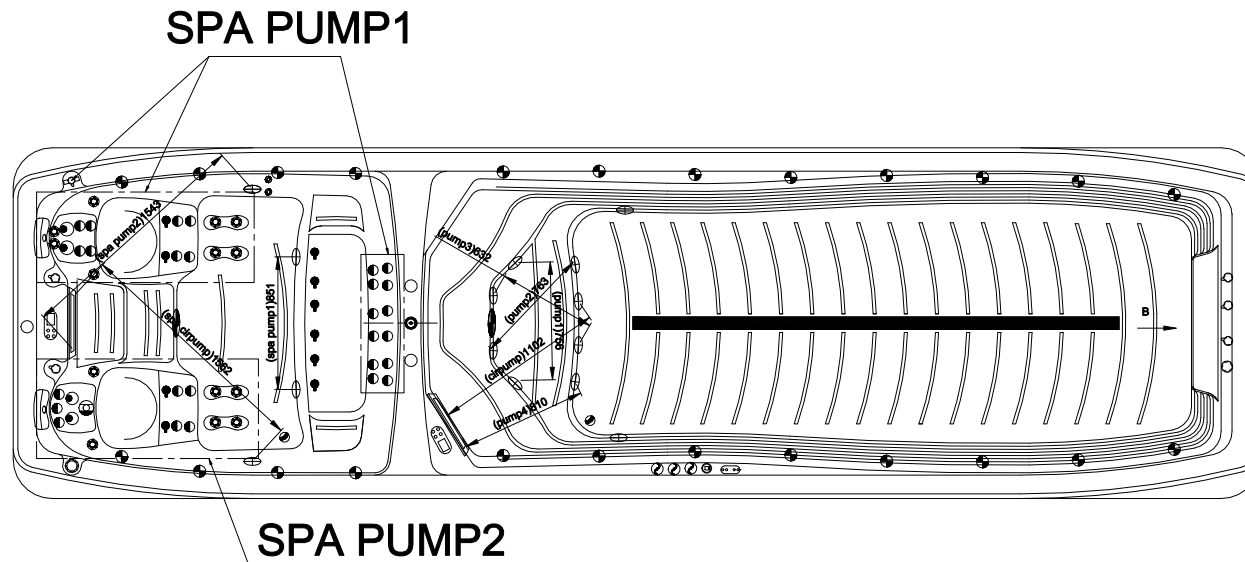
Notes: Due to manufacturing tolerances, there could be some minor differences between the actual spa and the drawing above. If site planning is critical to such tolerances, be sure to measure your actual spa. All specifications are subject to change without notice. Some components may be optional on your spa.

15	☉	Stainless Steel Swim Base	1	pcs
14	●	4 inch Jet Internal-Single Pulse	4	pcs
13	⊙	5 inch Jet Internal-Single Pulse	1	pcs
12	◐	Large 3 inch Jet internal-Single Pulse	27	pcs
11	⊙	1 inch Air Check Valve Assembly	5	pcs
10	⦿	1 inch Air Injector Assembly	10	pcs
9	⌘	2 inch Water Diverter Valve	1	pcs
8	⌘	Tetragonum Double Color Headrest	2	pcs
7	—	Twin Cilinder Skimmer (Carbon Grey)	2	pcs
6	⊙	2 inch Jet Internal-Directional	14	pcs
5	⊙	Stainless Steel Low Drain - 3/4 inch Slip	2	pcs
4	⊙	2 inch Suction (Full Set) - SS Face	12	pcs
3	⊙	Ozone Injector - Carbon Grey	5	pcs
2	⌘	5 inch Light Housing Without Holder	3	pcs
1	⌘	Waterway River Stream Swim Jet	4	pcs

20	⊙	Fountain Jet	3	pcs
19	⊙	Fountain Valve	1	pcs
18	⊙	Aromatherapy Canister-T-Body	1	pcs
17	⊙	MINI-LED Light Cover	24	pcs
16	—	Stainless Steel Handrail	1	pcs

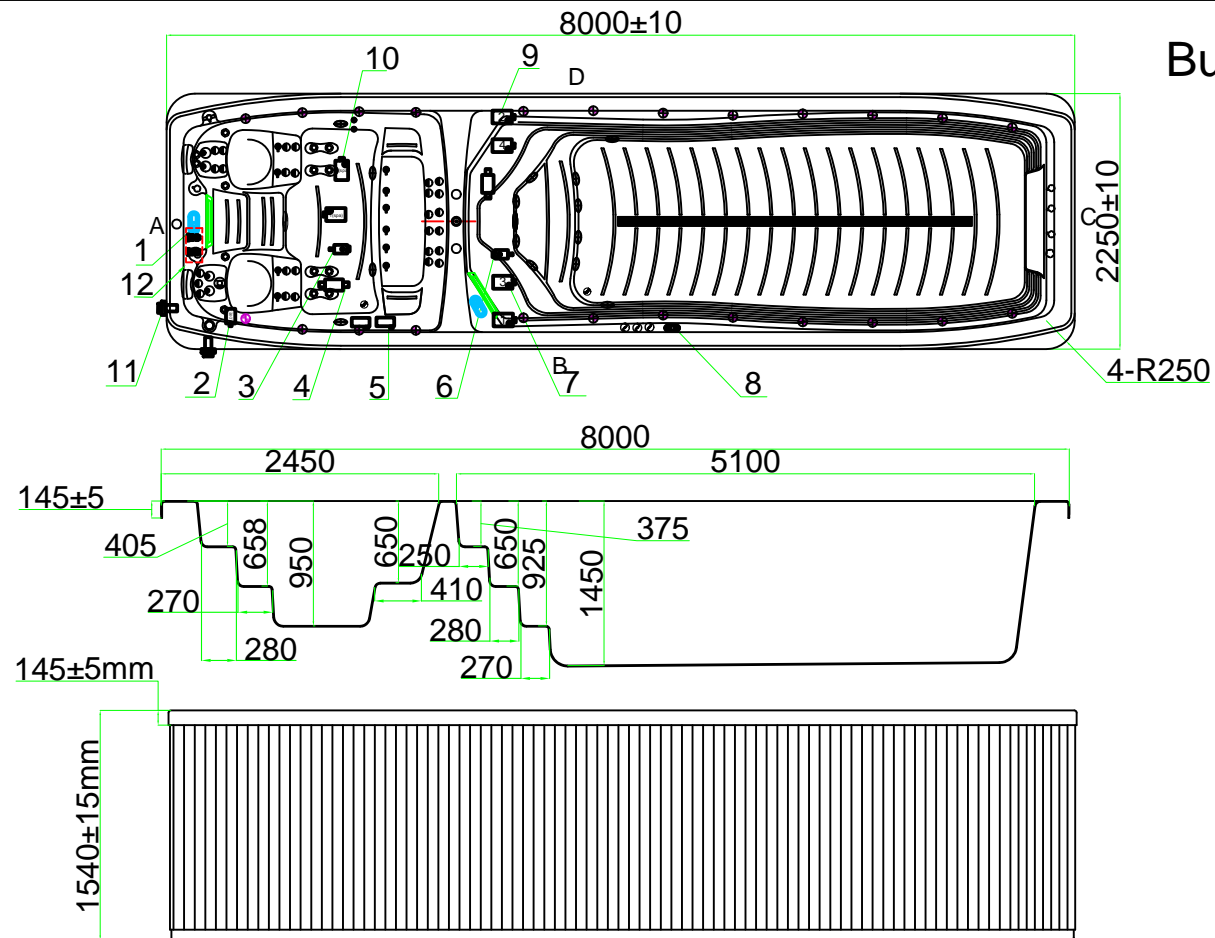
NO	ICON	DESCRIPTION	QTY	UNIT	NO	ICON	DESCRIPTION	QTY	UNIT
----	------	-------------	-----	------	----	------	-------------	-----	------

Therapy Assignment



Notes: Due to manufacturing tolerances, there could be some minor differences between the actual spa and the drawing above. If site planning is critical to such tolerances, be sure to measure your actual spa. All specifications are subject to change without notice. Some components may be optional on your spa.

Business plan



Notes: Due to manufacturing tolerances, there could be some minor differences between the actual spa and the drawing above. If site planning is critical to such tolerances, be sure to measure your actual spa. All specifications are subject to change without notice. Some components may be optional on your spa.

12		Heat Pump Ready Unit (Option)	1	pcs
11		External Drain	2	pcs
10		3HP Single Speed Pump	3	pcs
9		4HP Single Speed Pump	2	pcs
8		Subsidiary Control Panel	1	pcs
7		2HP Single Speed Pump	1	pcs
6		Circulation Pump(JA100)	1	pcs
5		CD Ozone Generator	2	pcs
4		Control Box	2	pcs
3		Circulation Pump(GECKO)	1	pcs
2		Blower	1	pcs
1		Control Panel	1	pcs
NO	ICON	DESCRIPTION	QTY	UNIT
Edition:30/1/2021			YA802.07.0002	