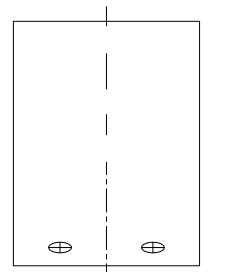
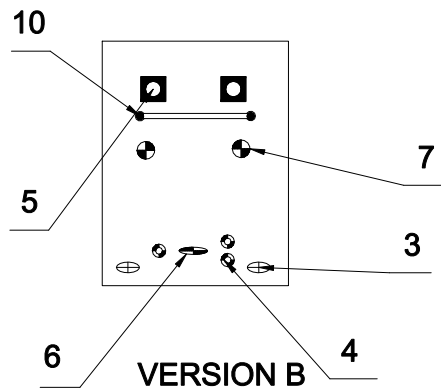
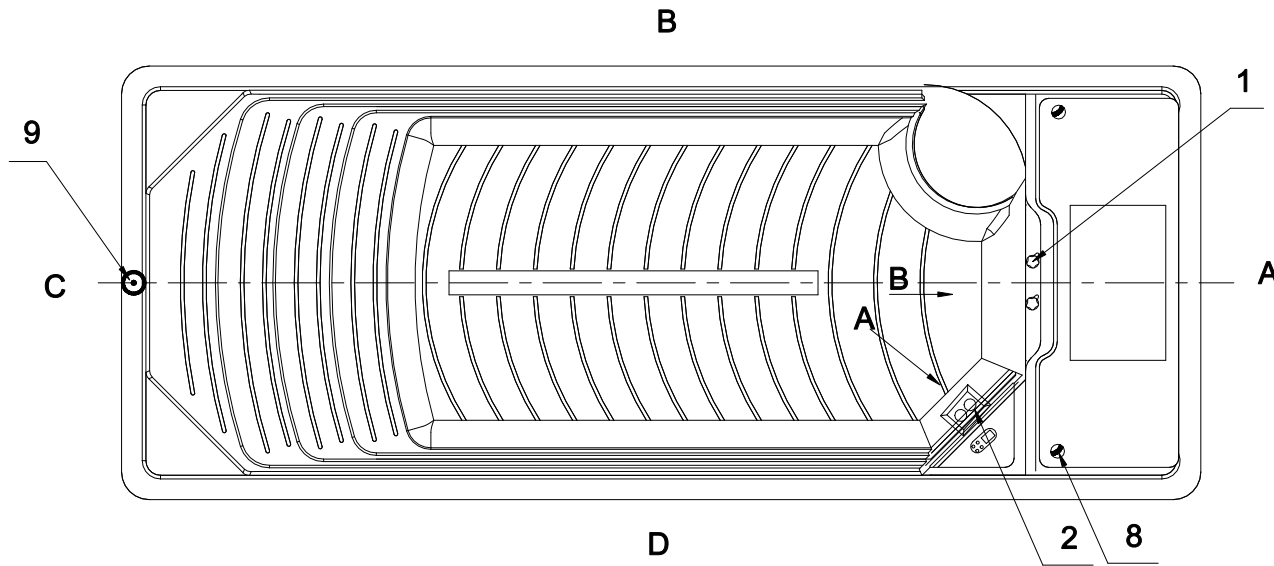


# Fitting

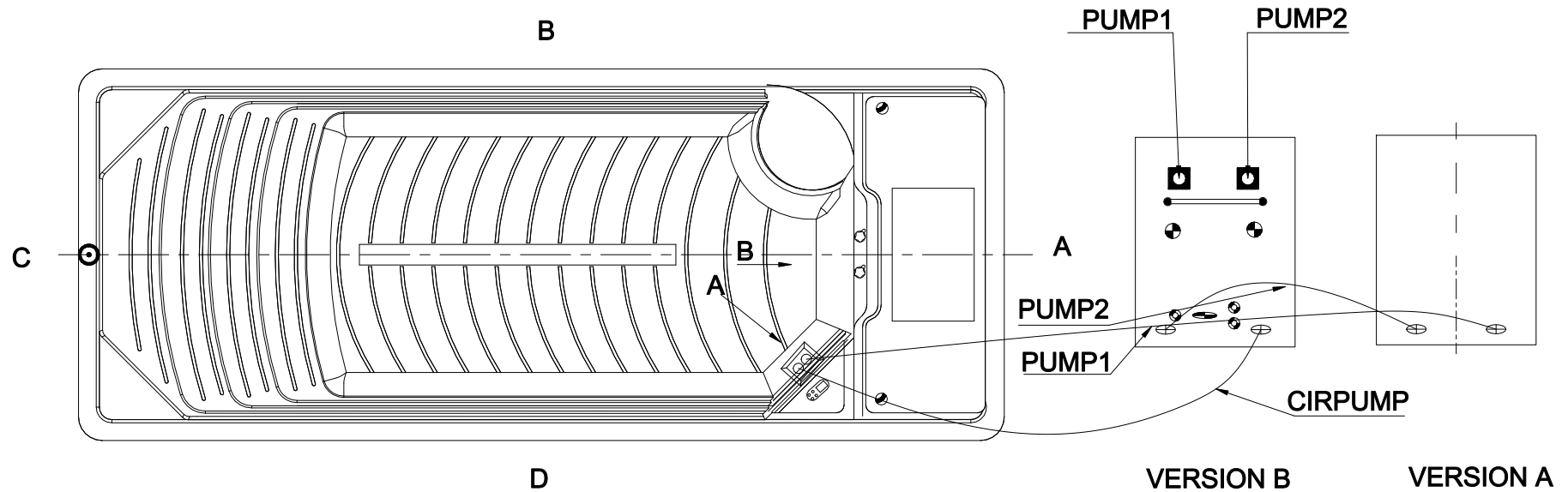


VERSION A

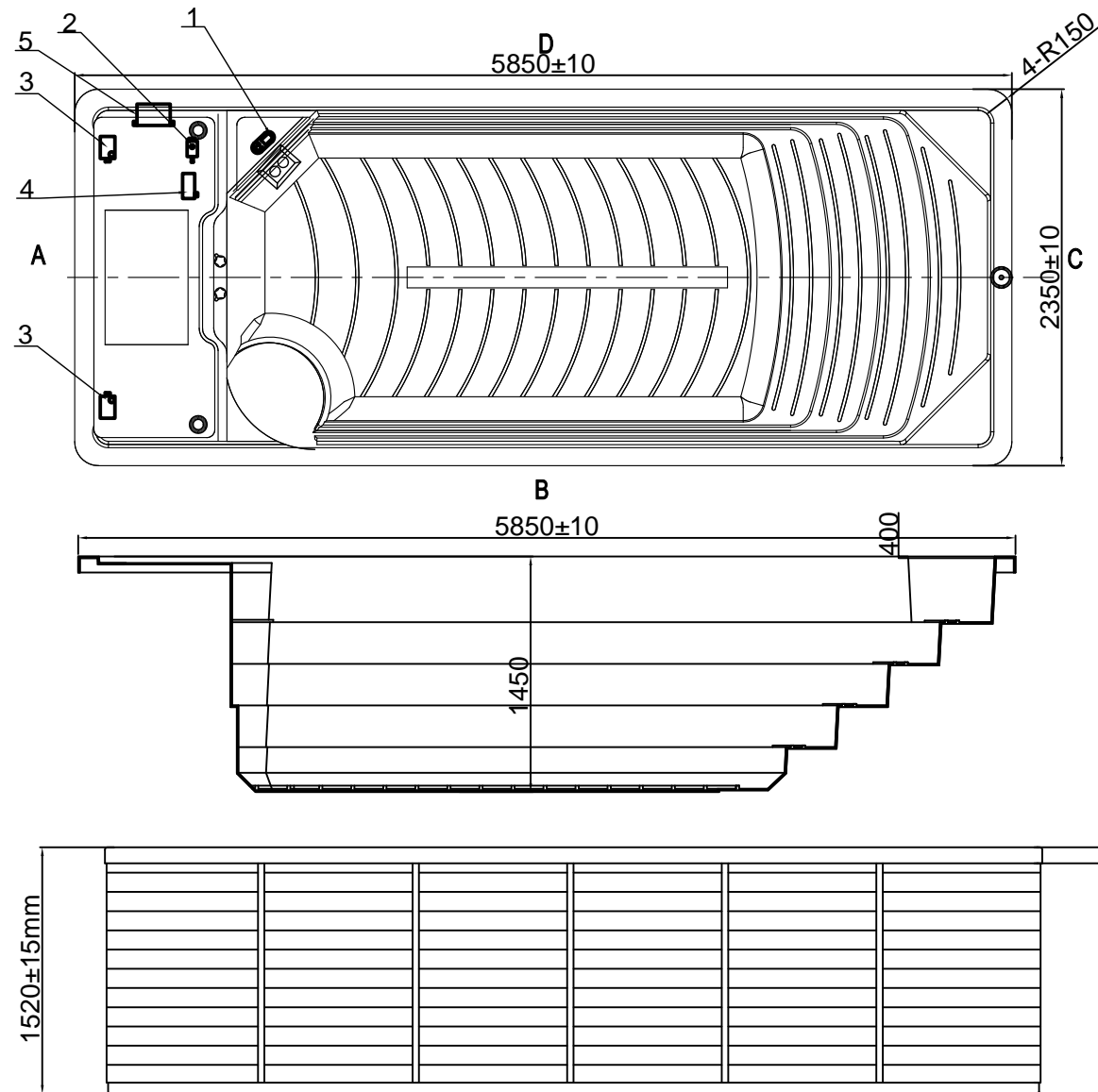
Notes: Due to manufacturing tolerances, there could be some minor differences between the actual spa and the drawing above. If site planning is critical to such tolerances, be sure to measure your actual spa. All specifications are subject to change without notice. Some components may be optional on your spa.

|                   |      |                                     |              |      |
|-------------------|------|-------------------------------------|--------------|------|
| 10                |      | Stainless Steel Handrail            | 1            | pcs  |
| 9                 |      | Stainless Steel Swim Base           | 1            | pcs  |
| 8                 |      | Stainless Steel Floor Drain         | 2            | pcs  |
| 7                 |      | 2 inch LED Light Cover              | 2            | pcs  |
| 6                 |      | 5 inch Light Housing Without Holder | 1            | pcs  |
| 5                 |      | 2 inch SWIM JET                     | 2            | pcs  |
| 4                 |      | Ozone Injector - Carbon Grey        | 3            | pcs  |
| 3                 |      | 2 inch Suction (Full Set)           | 4            | pcs  |
| 2                 |      | Double Cilinder Skimmer             | 1            | pcs  |
| 1                 |      | 1 inch Air Check Valve Assembly     | 2            | pcs  |
| NO                | ICON | DESCRIPTION                         | QTY          | UNIT |
| Edition:19/2/2021 |      |                                     | ED60.01.0008 |      |

# Therapy Assignment



Notes: Due to manufacturing tolerances, there could be some minor differences between the actual spa and the drawing above. If site planning is critical to such tolerances, be sure to measure your actual spa. All specifications are subject to change without notice. Some components may be optional on your spa.



Notes: Due to manufacturing tolerances, there could be some minor differences between the actual spa and the drawing above. If site planning is critical to such tolerances, be sure to measure your actual spa. All specifications are subject to change without notice. Some components may be optional on your spa.

|                    |      |                       |              |      |
|--------------------|------|-----------------------|--------------|------|
| 5                  |      | Control Box           | 1            | pcs  |
| 4                  |      | CD Ozone Generator    | 1            | pcs  |
| 3                  |      | 3HP Single Speed Pump | 2            | pcs  |
| 2                  |      | 1HP Circulation Pump  | 1            | pcs  |
| 1                  |      | Control panel         | 1            | pcs  |
| NO                 | ICON | DESCRIPTION           | QTY          | UNIT |
| Edition: 19/2/2021 |      |                       | ED60.07.0002 |      |